

# LS600 WORKSHEET

Select ONE of the following LS600 configuration columns:		
Custom	Standard Size w/o Housing/Bushing 8" Actuation Point	Standard Size with Housing/2" MS Bushing (Select one in each group)
Use Worksheet Below	<input type="checkbox"/> Buna-N Float/Brass Stem <input type="checkbox"/> Stainless Steel Float and Stem	<input type="checkbox"/> Buna-N Float/Brass Stem <input type="checkbox"/> Stainless Steel Float and Stem <hr/> <input type="checkbox"/> 6" <input type="checkbox"/> 8" <input type="checkbox"/> 12" <input type="checkbox"/> 16"
		Actuation from tank ceiling (Assuming Tank Mounted Fitting)

(Use This Worksheet to Generate Custom Configurations)

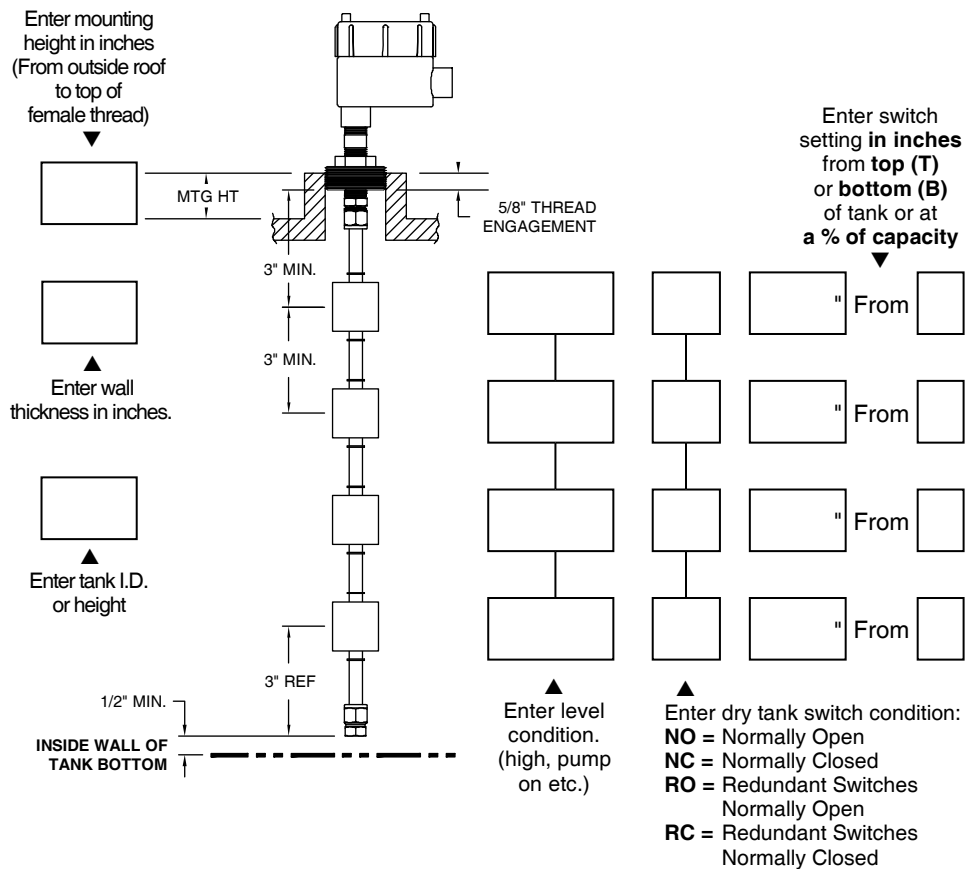
Select ONE of EACH option below:  
(Factory default shown in bold, consult factory for Other options)

Float/Stem
<input type="checkbox"/> <b>Buna-N/Brass</b> <input type="checkbox"/> Stainless Steel <input type="checkbox"/> Stainless Steel/Brass <input type="checkbox"/> Buna-N/PVC <input type="checkbox"/> Polypropylene/PVC <input type="checkbox"/> Other Float/Stem

Wiring Termination (Optional)
<input type="checkbox"/> <b>Housing</b> <input type="checkbox"/> Quick Disconnect <input type="checkbox"/> Flex Conduit Fitting

Special Features (Optional)
<input type="checkbox"/> Adjustable (Bushing/Flange Mount Only) <input type="checkbox"/> Test Lever (S/S Float Only) <input type="checkbox"/> Riser Spacer Mount

Mounting
<input type="checkbox"/> None <input type="checkbox"/> <b>2" MS Bushing</b> <input type="checkbox"/> 1.5" MS Bushing <input type="checkbox"/> 2" Aluminum Quick Release Cap <input type="checkbox"/> 2" PVC Bushing <input type="checkbox"/> 2" S/S Bushing <input type="checkbox"/> 4" S/S 150# Flange <input type="checkbox"/> Other Bushing/Flange



**NOTE**  
 Unless otherwise specified, the contact state in a dry tank is set as follows:  
 Overfill, H. High, High, and Pump Stop: Normally Open  
 L. Low, Low, and Pump Start: Normally Closed

Additional Tank Information: (Required where setting is given as a percent of volume)  
 Manufacturer: \_\_\_\_\_ Actual Capacity: \_\_\_\_\_  
 End Type (Horizontal cylinders only) (Flat, Dished, Spherical, etc.): \_\_\_\_\_