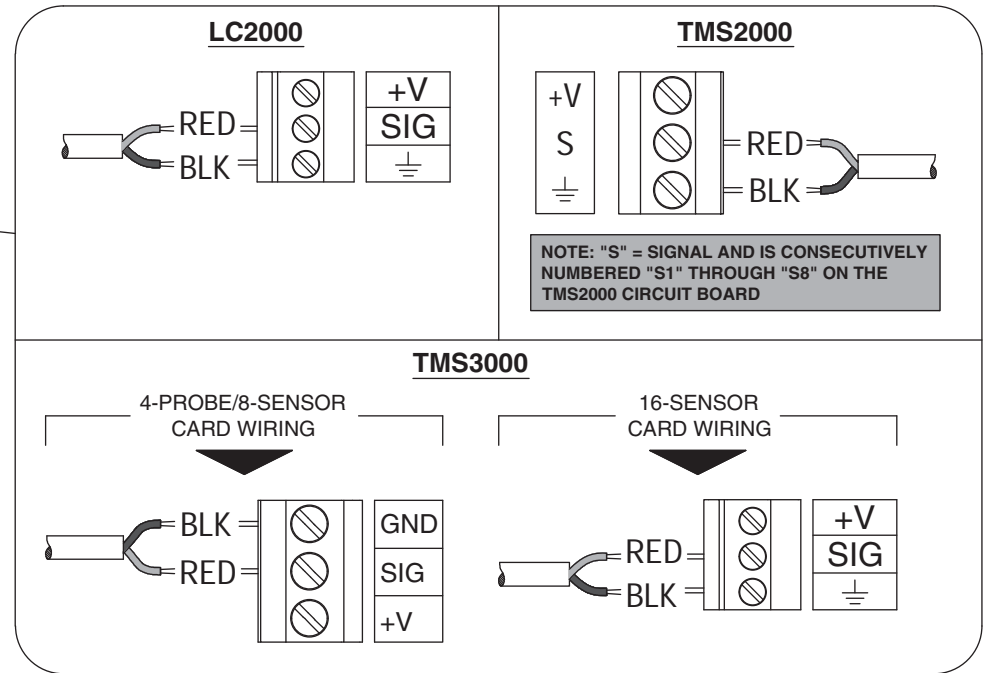
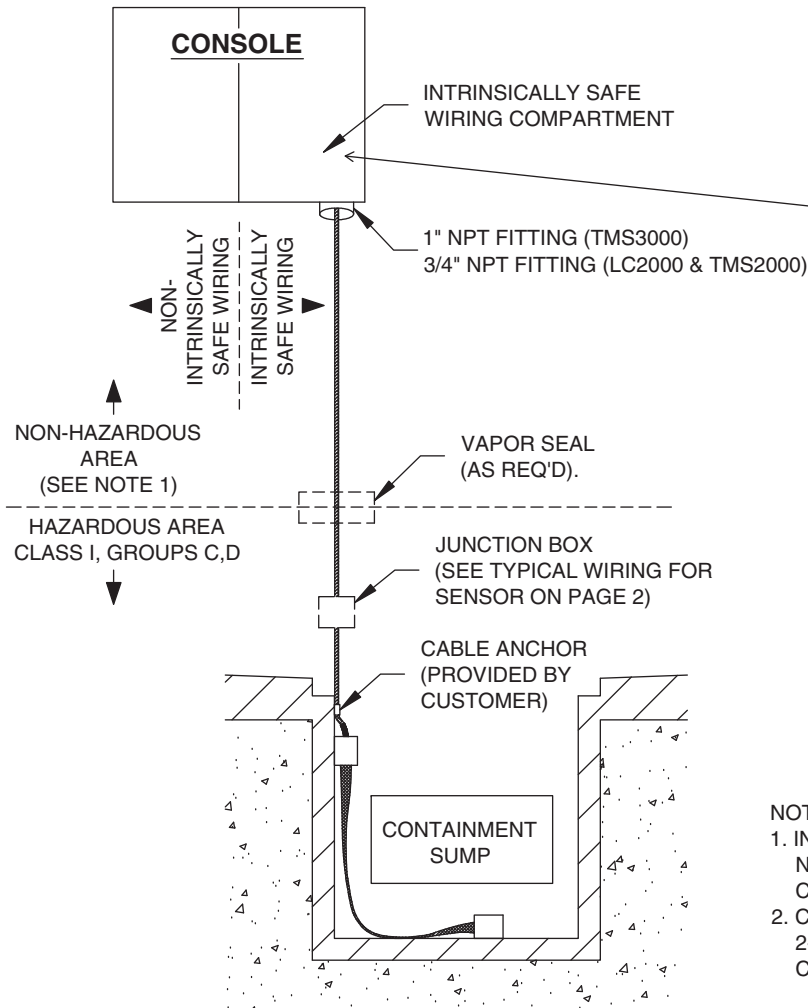


WIRING DRAWING - HS100-ND

SYSTEM OVERVIEW AND CONSOLE WIRING DETAIL - (See Page 2 for PROGRAMMING)



NOTES:

- INTRINSICALLY SAFE INPUT WIRING: WIRE AND INSTALL IN ACCORDANCE WITH ARTICLE 504 OF NATIONAL ELECTRIC CODE ANSI/NFPA 70. NON-INTRINSICALLY SAFE WIRING CAN NOT BE RUN IN CONDUIT OR OPEN RACEWAYS TOGETHER WITH INTRINSICALLY SAFE WIRING.
- CABLE SELECTION:
 2-CONDUCTOR, 22/24AWG, NO SHIELD REQUIRED - EXAMPLES: BELDEN 8442, CAROL (GENERAL CABLE) C6348 OR ALPHA 1172C.

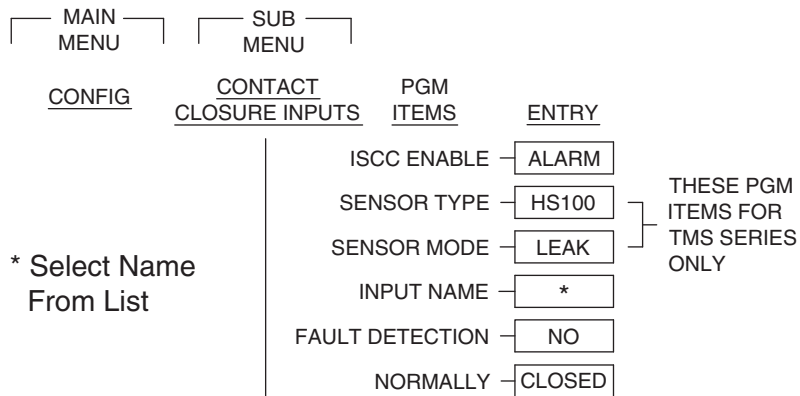
Questions? Contact Technical Support at (800) 209-7858



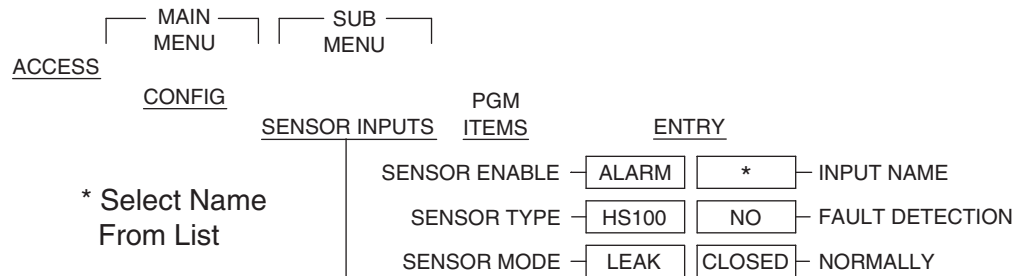
WIRING DRAWING - HS100-ND

PROGRAMMING AND JUNCTION BOX WIRING DETAIL - (See Page 1 for CONSOLE WIRING)

LC/TMSCOMM SOFTWARE PROGRAMMING



TMS SERIES FRONT PANEL PROGRAMMING



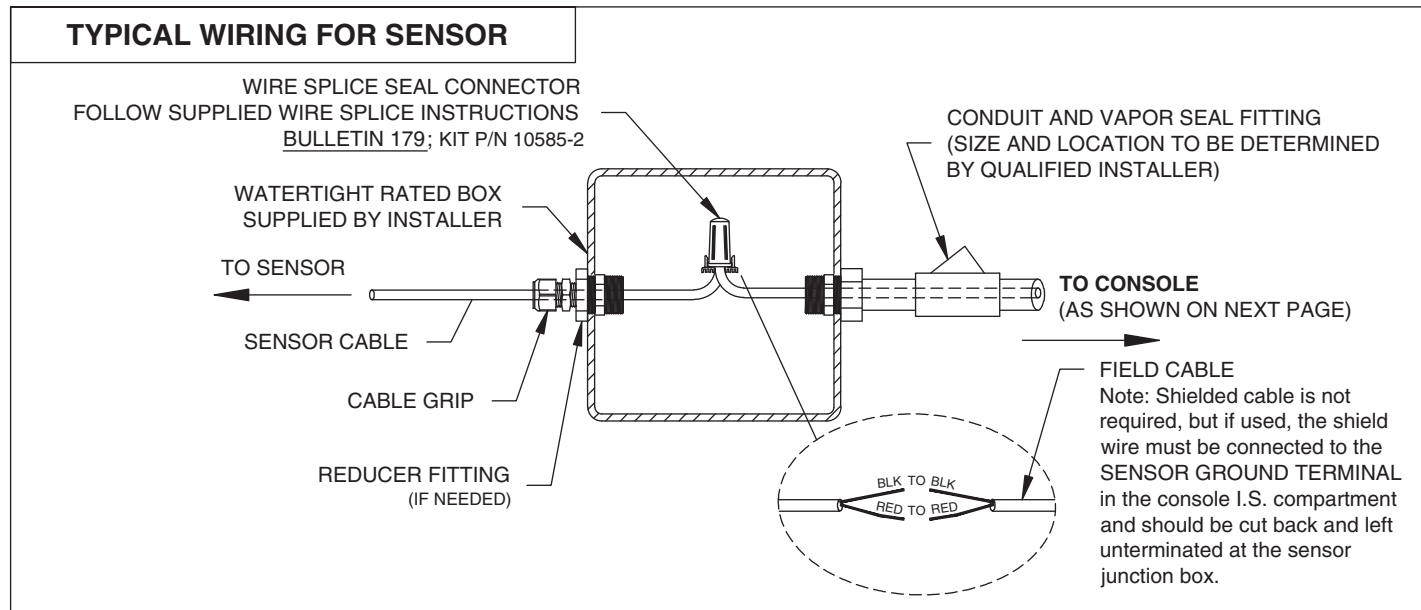
LC2000 FRONT PANEL PROGRAMMING

MODEL HS100

PROGRAM Mode LED Indicators		ENTRY
SENSOR	OFF = DISABLED, ON (2 Fast Blinks) = ALARM, ON (3 Slow Blinks) = RELAY	- ALARM
NO/NC	OFF = NC, ON = NO	- OFF
FAULT DETECT	OFF = DISABLED, ON = ENABLED	- OFF

ADDITIONAL PROGRAMMING FOR LC2000 ONLY: Set the corresponding sensor DIP switch to "OPEN". This can be accomplished either from the front panel or via the software with assistance from PNEUMERCATOR technical support. The DIP switch is located inside the console behind the front door towards the top. Applies to both front panel and software programming

TYPICAL WIRING FOR SENSOR



Questions? Contact Technical Support at (800) 209-7858