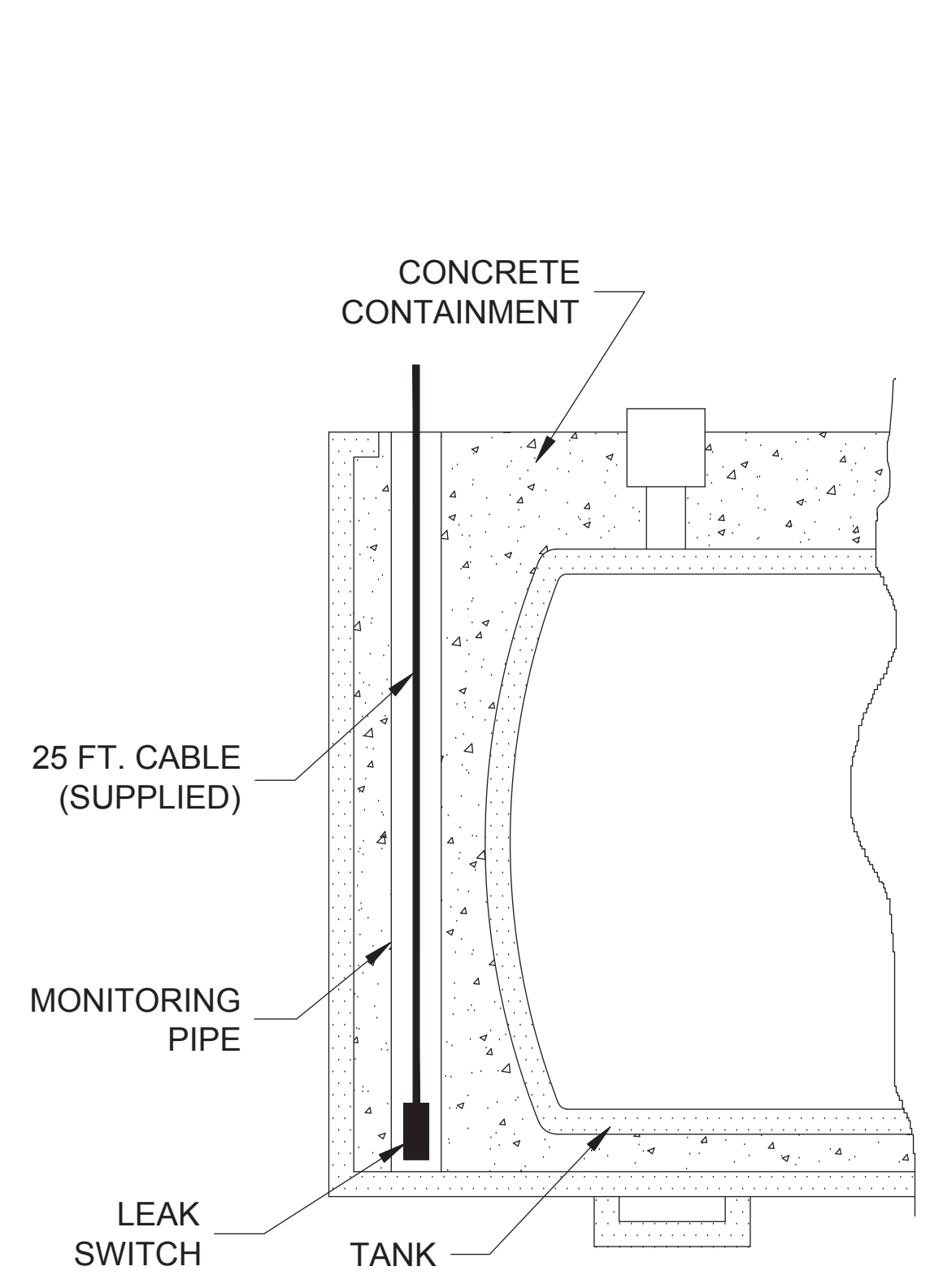
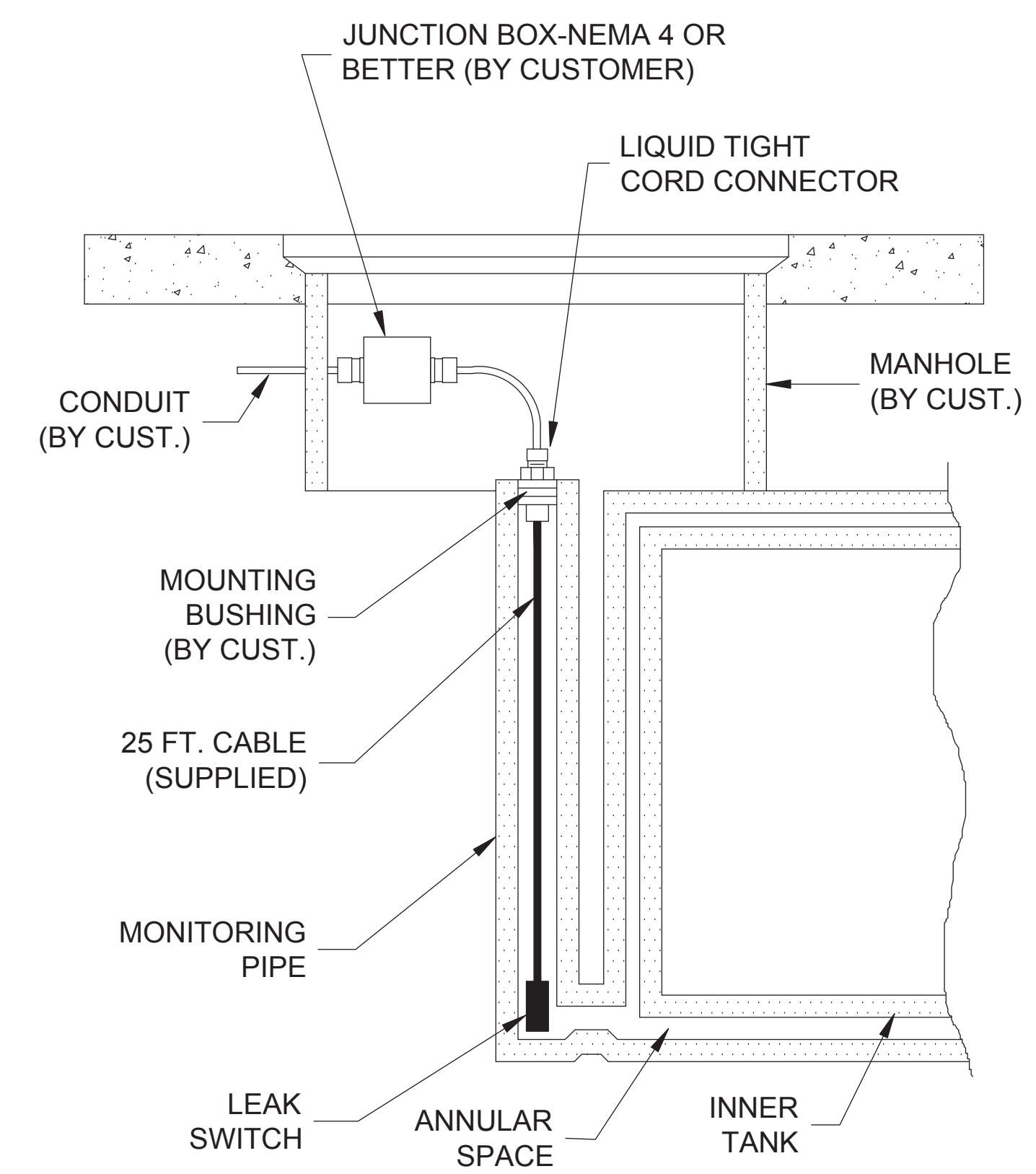


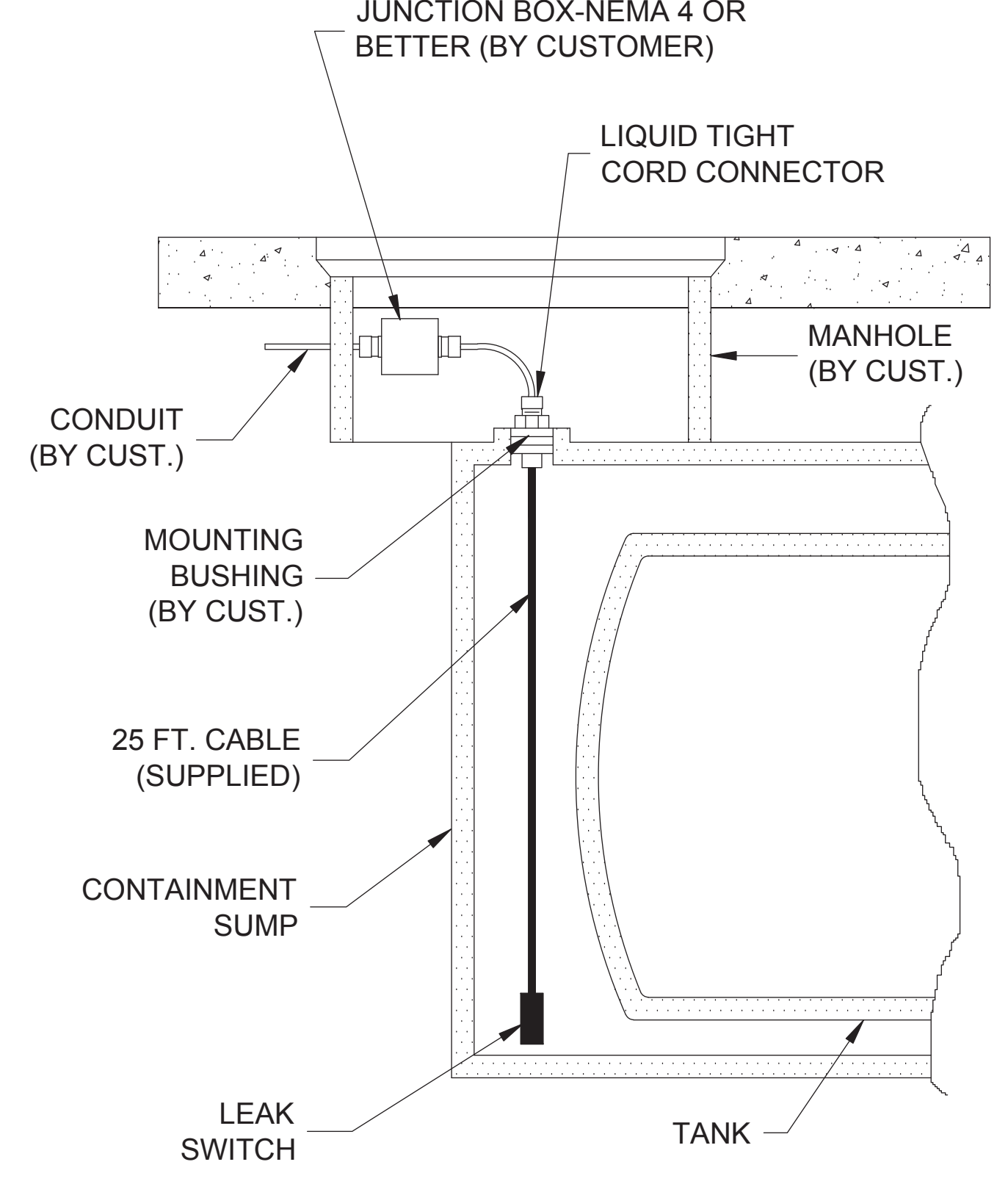
APPLICATION		REVISIONS				
NEXT ASSY	USED ON	REV	DESCRIPTION	DATE	BY	APP.
		F	SEE REVISION SHEET FOR THIS AND OTHER REVISION HISTORY	05/09/14	CHR	



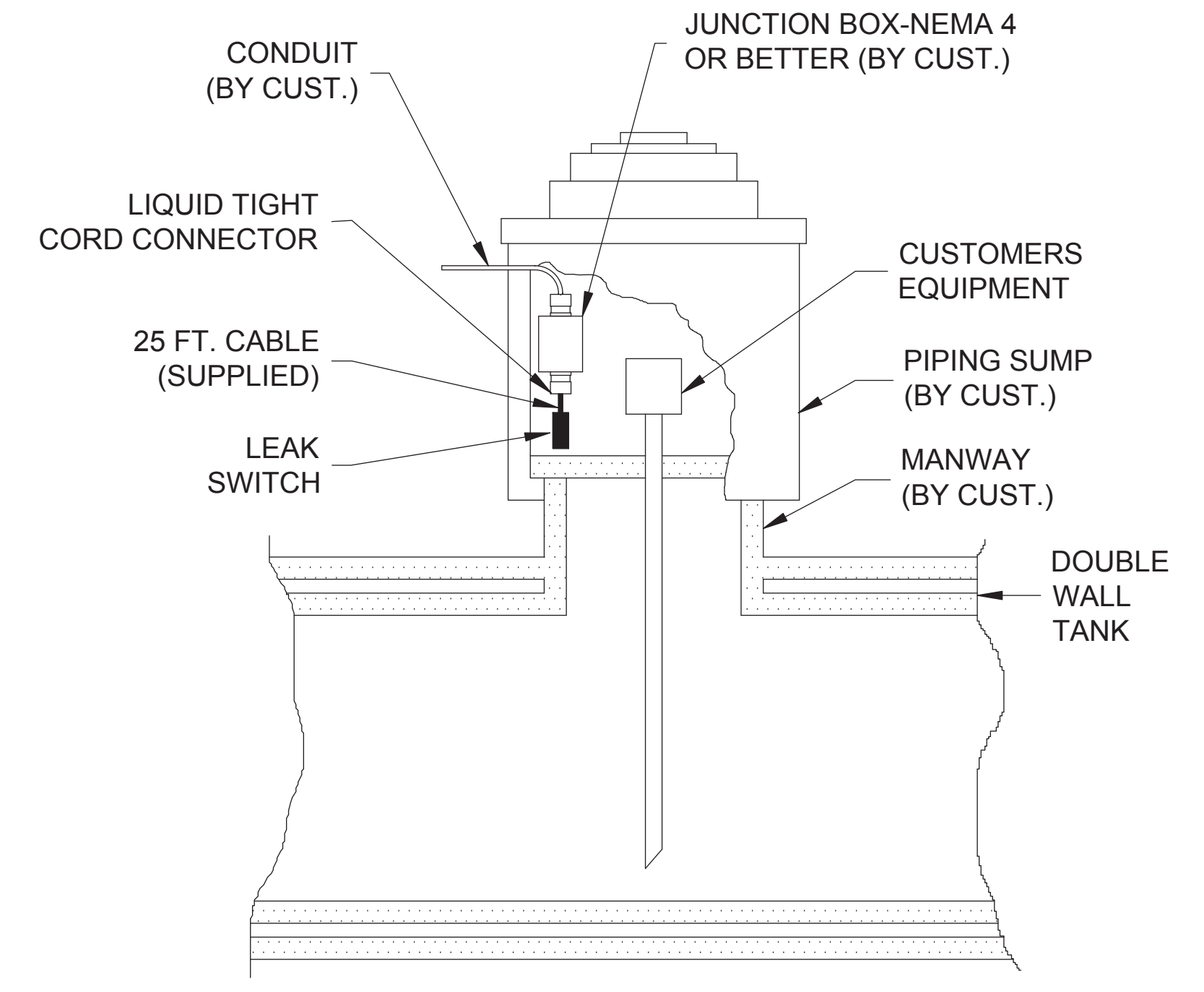
**MODEL LS-600 LD
ABOVE GROUND
INSTALLATION**



**MODEL LS-600 LD
MONITORING PIPE
INSTALLATION**



**MODEL LS-600 LD
SUMP INSTALLATION**



**MODEL LS-600 LD
PIPING SUMP OR
MANHOLE INSTALLATION**

NOTES:

- MANHOLE:
 - SUPPLIED BY CUSTOMER.
- JUNCTION BOX:
 - SUPPLIED BY CUSTOMER. TO BE NEMA 4 OR BETTER.
 - OPTIONAL SPLICE KIT IS AVAILABLE (P/N 10585-2)
- SWITCH:
 - SWITCH IS SUPPLIED AS AN ASSEMBLY WITH 25 FT. OF CABLE ATTACHED.
 - MOUNTING REQUIRES A 1 3/4" MIN. (LS600 LDBN) OR 2" MIN. (LS600 LDSS) OPENING.
 - CABLE IS 22AWG, 2-CONDUCTOR.
 - FLOAT IS SET NORMALLY OPEN TO CLOSE ON THE RISE OF LIQUID LEVEL. FOR A NORMALLY CLOSED SETTING:
 - REMOVE THE FLOAT CLIP.
 - REMOVE THE FLOAT, THEN PUT IT BACK ON IN REVERSE.
 - RE-ATTACH FLOAT CLIP.

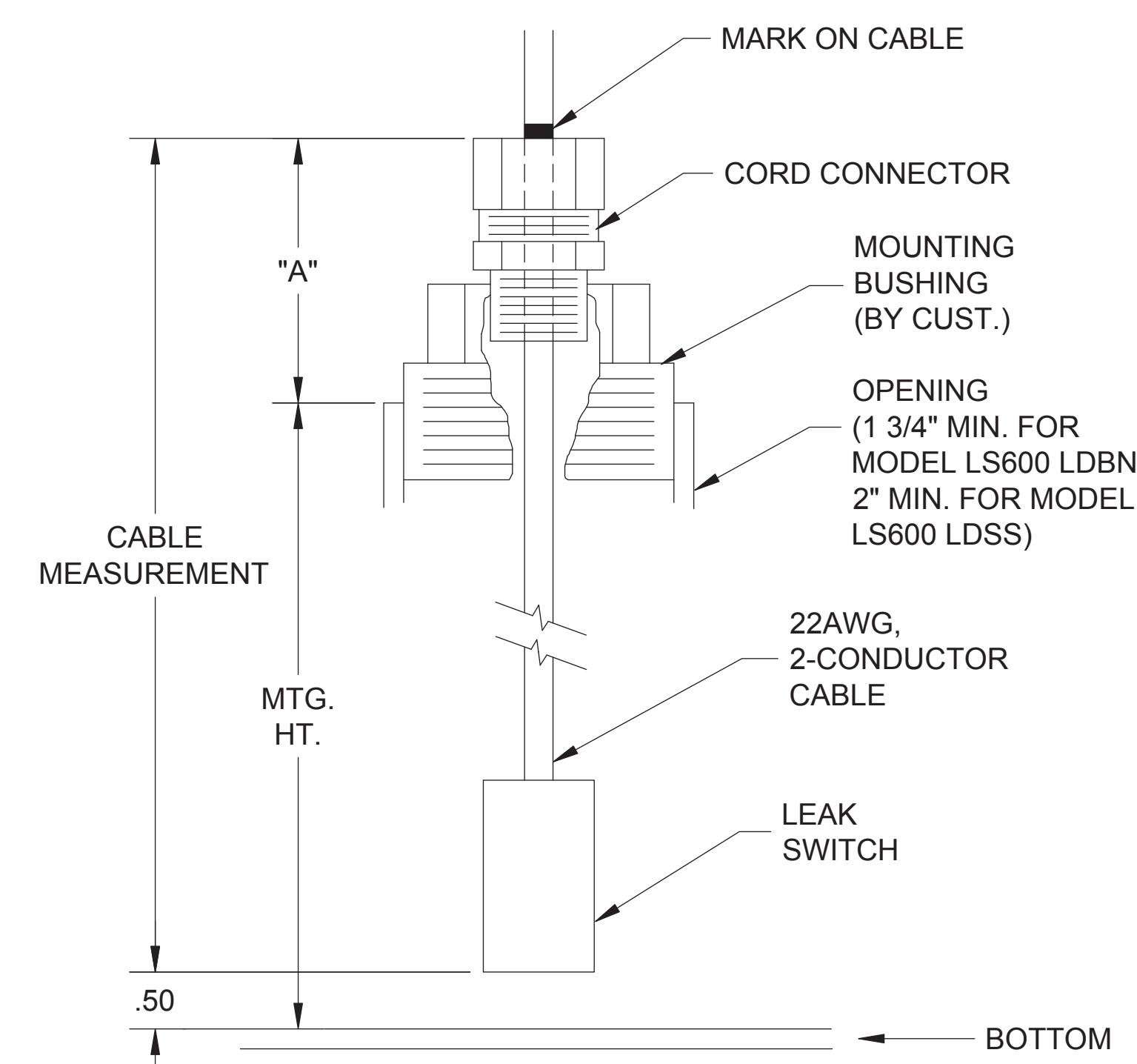


FIGURE 1

INSTALLATION INSTRUCTIONS (REFER TO FIGURE 1)

- MEASURE YOUR MOUNTING HEIGHT. (THE DISTANCE FROM THE TOP OF THE OPENING TO THE BOTTOM OF THE MONITORING PIPE OR CONTAINMENT SUMP).
- YOUR MOUNTING HEIGHT + "A" - .50 IS YOUR CABLE MEASUREMENT.
- UNROLL THE SENSOR / CABLE ASSEMBLY. MEASURE FROM THE SENSOR'S BOTTOM UP THE CABLE UNTIL YOU REACH YOUR CABLE MEASUREMENT (FROM INSTRUCTION 2) AND MARK THE CABLE AT THAT POINT.
- FEED THE CABLE THROUGH THE BOTTOM OF THE MOUNTING BUSHING AND CORD CONNECTOR UNTIL YOU SEE THE MARK ON THE CABLE. INSERT THE SENSOR AND CABLE THROUGH THE TANK OPENING.
- SCREW IN THE MOUNTING BUSHING AND CONNECTOR.
- TIGHTEN THE CONNECTOR WITH THE CABLE MARK IN THE CORRECT POSITION.
- USING THE PROPER CONSOLE WIRING DRAWING, WIRE TO THE JUNCTION BOX OR SPLICE KIT AND THEN TO THE CONSOLE. FOLLOW LOCAL WIRING CODES AND EXPLOSION-HAZARD ELECTRICAL PRACTICES IF REQUIRED.

PART NUMBER: N/A		APPROVALS		DATE	PNEUMERCATOR Liquid Level Control Systems	
UNLESS OTHERWISE SPECIFIED DIMENSIONS ARE IN INCHES		DRAWN BY	R. KHARE		03/23/92	
FRACTIONS: ± 1/64	DECIMALS: .XX ± .01	CHECKED BY			DESCRIPTION	
				INSTALLATION DRAWING MODEL LS 600-LD SWITCH		
MATERIAL:	N/A	SIZE	D	CASE CODE	47876	DRAWING NO.
FINISH:	N/A	SCALE	NONE	DO NOT SCALE DRAWING	10452	REV. F