

LS600X WORKSHEET

(Use This Worksheet to Generate Custom Configurations)

Select **ONE** of **EACH** of the following options: (Factory default shown in bold, consult factory for Other options)

Float

- Stainless Steel**
- Buna-N
- Polypropylene

Stem

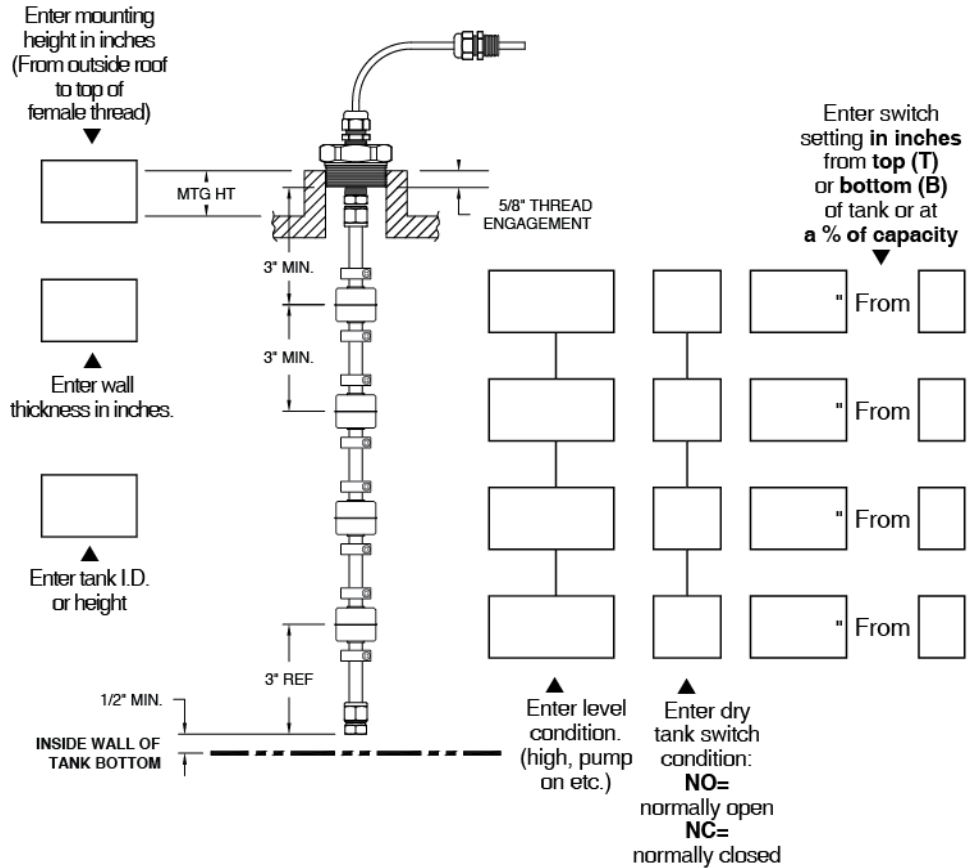
- Stainless Steel**
- PVC

Test Lever (S/S Float Only)

- No**
- Yes

Mounting

- 2" S/S Bushing**
- 1.5" S/S Bushing
- 2" PVC Bushing
- 2" S/S 150# Flange
- 4" S/S 150# Flange
- Other Bushing
- _____
- Other Flange
- _____



Additional Tank Information: (Required where setting is given as a percent of volume)

Actual Capacity: _____

End Type (Horizontal cylinders only) (Flat, Dished, Spherical, etc.): _____

Manufacturer: _____