

LS600M WORKSHEET

(Use This Worksheet to Generate Custom Configurations)

Select ONE of EACH of the following options: (Factory default shown in bold, consult factory for Other options)

Float

- Buna-N**
- Stainless Steel (> .85 SG)
- Polypropylene

Stem

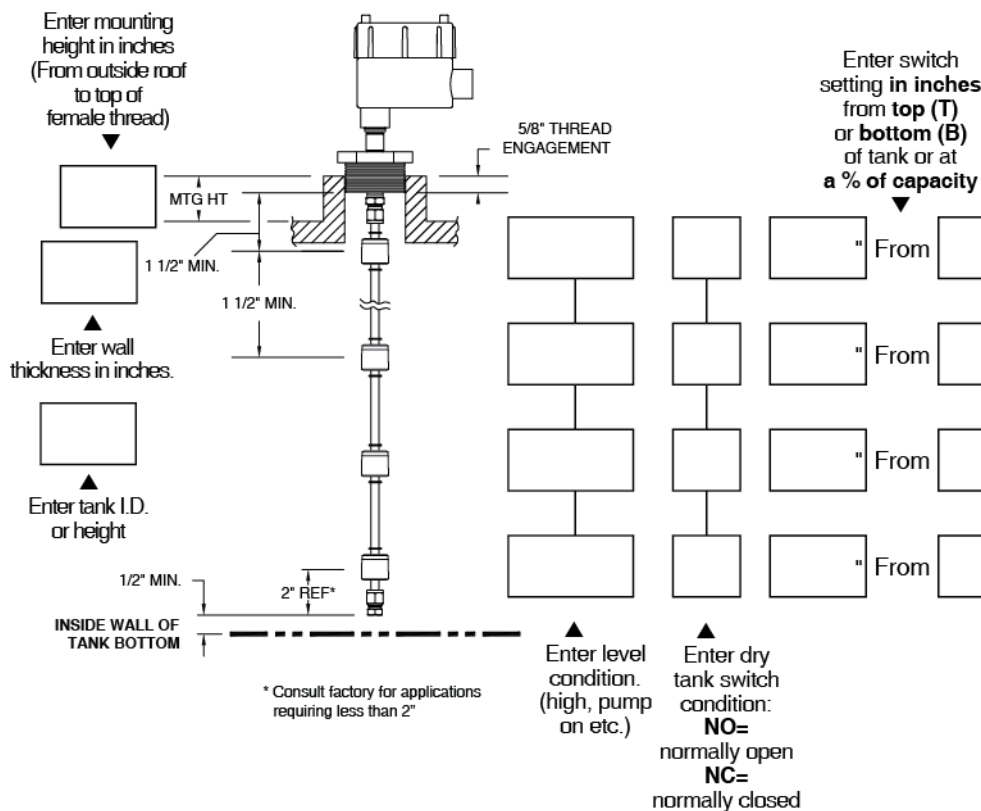
Stainless Steel Only

Housing

- Yes**
- No

Mounting

- 2" MS Bushing**
- 1.5" MS Bushing
- 1.25" MS Bushing
- 1" MS Bushing
- 2" S/S Bushing
- 1.5" S/S Bushing
- 1.25" S/S Bushing
- 1" S/S Bushing
- 2" S/S 150# Flange
- Other Bushing
- _____
- Other Flange
- _____



Additional Tank Information: (Required where setting is given as a percent of volume)

Actual Capacity: _____

End Type (Horizontal cylinders only) (Flat, Dished, Spherical, etc.): _____

Manufacturer: _____